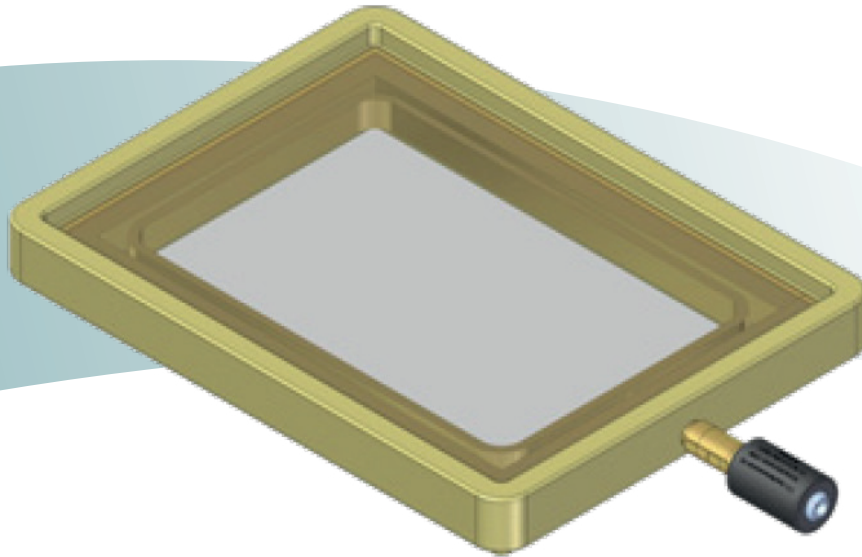


MS Ultrasonic Sieving System 60 US

Efficiency and Reliability in Powder Coating Technology

ms



Innovative sieve technology in powder coating.

All powder equipment users must consider implementing an ultrasonic sieving system when looking for a quality finish.

Using the newly developed MS ultrasonic sieve, you can improve surface quality with respect to all types of contamination and significantly reduce your waste powder ratios.

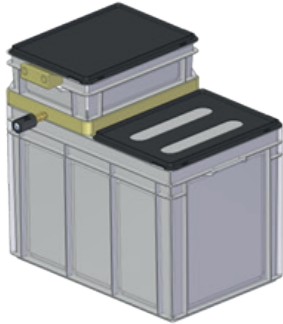
Depending on the amount and consistency of the material being sieved, the MS Ultrasonic controller automatically matches the oscillation frequency directly transmitted to the sieve unit. Thus, ensuring even the finest foreign particles are filtered out efficiently and effectively from the fresh or recovered powder materials.

Outstanding features:

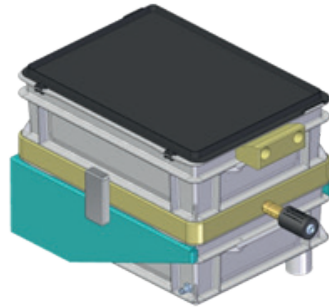
- High sieve capacity up to 6-kg/min with mesh widths between 100 - 200 μ .
- Fully automated frequency variation for different types of powder through the MS Ultrasonic Controller.
- For high-quality surfaces without contamination.
- Can be integrated into any powder recovery system.
- Sieve unit can be used in a powder kitchen, fluidized tote containers or from a remote powder storage location.
- Cost savings through efficient processing of old stored powder boxes.
- Intensity of ultrasonic power can be adjusted for various powder grades through 999 programs.
- Easy-clean design for quick color change.
- External control through standard digital or analog connections. 3 freely selectable system programs: Continual, pulse or amplitude sweep.

The easy-clean sieve system can be used in any powder coating system. The Ultrasonic sieve is typically located in the powder kitchen as standard equipment with all MS fast color change powder booth systems.

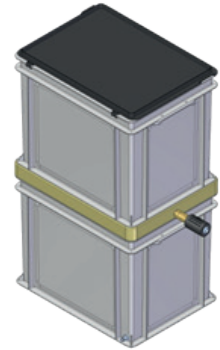




MS Ultrasonic fluidized tote 90-L



MS Ultrasonic sieve unit with wall bracket



MS Ultrasonic powder sieve unit 30L for warehouse sieving

MS Ultrasonic Controller



MS Oberflächentechnik AG • CH-9436 Balgach • +41 (0)71 727 13 70 • Mail: info@msnews.ch • www.msnews.ch

Sales and Service through our Global Network of Distributors

Carlisle Fluid Technologies Locations

- Americas: USA • Mexico • Brazil
- Europe/Asia/Africa: United Kingdom • France • Germany • Switzerland • India
- Pacific Rim: China • Japan • Australia



www.carlisleft.com

email: marketing@carlisleft.eu

